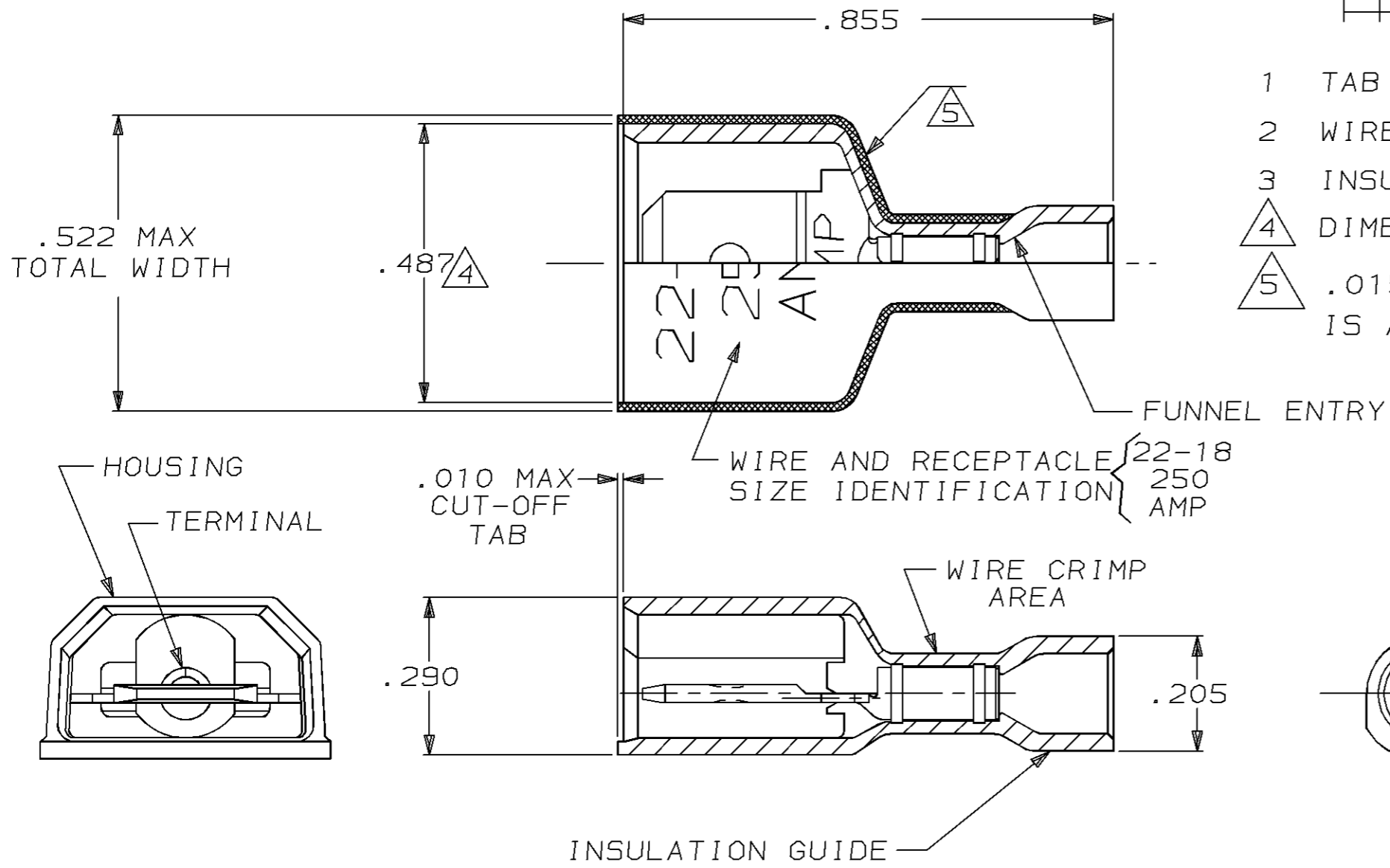


THIS DRAWING IS UNPUBLISHED. RELEASED FOR PUBLICATION, 19
 © COPYRIGHT 19 BY AMP INCORPORATED. ALL INTERNATIONAL RIGHTS RESERVED.

LOC	DIST	P	F	REVISIONS				
AF	50			ZONE	LTR	DESCRIPTION	DATE	APPD
					K	REV PER 0710-0057-95	2/16/95	JR/JW



- 1 TAB DIMENSIONS .032±.001x.250
- 2 WIRE STRIP LENGTH .281
- 3 INSULATION SIZE .135 MAX DIA
- 4 DIMENSION DOES NOT INCLUDE TRIM BURR
- 5 .015 MAX CARRIER TRIM BURR PER SIDE IS ALLOWABLE IN THE SHADED AREA

HOUSING: NYLON, COLOR-RED TRANSLUCENT		2-520103-2	
RECEPTACLE: #3 HARD BRASS, TIN .000080 MIN		PART NO	
MATERIAL & FINISH		AMP INCORPORATED Harrisburg, Pa. 17105	
DO NOT SCALE PRINT. UNLESS SPECIFIED DIMENSIONS IN INCHES TOLERANCES ON: 2 PLC DEC ± - 3 PLC DEC ± .015 ANGLES ± -		NAME TAB ASSEMBLY, ULTRA-FAST, LOOSE PIECE, .250 SERIES, 22-18 AWG	
MATERIAL SEE TABLE		SIZE B	
FINISH SEE TABLE		FSCM NO 00779	
DR 11/16/88 P FORTNEY CHK 11/30/88 MS FEHER APPD 12/14/88 KA RANDOLPH APPD 1/9/89 TL SHUTTER PRODUCT SPEC 108-2017 APPLICATION SPEC 114-2123 WEIGHT -		DRAWING NO 520103	
		SCALE 4:1	
		SHEET 1 OF 1	